



**FT901
PRODUCT MANUAL**

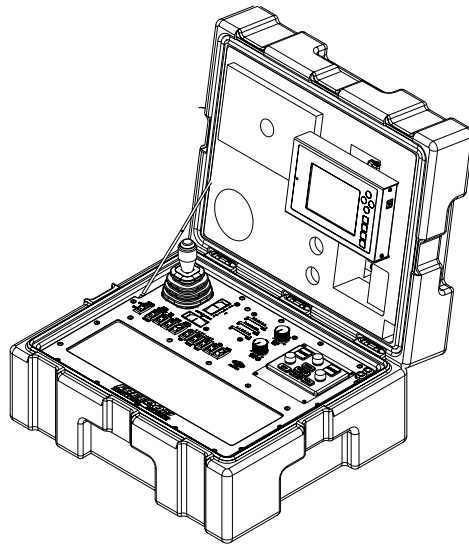
**PART NUMBER: SG07230016
REV: E**

Component Technology

A DIVISION OF
 **Certified Power Inc.**



FT901 PRODUCT MANUAL



General

The FT901 is designed to be a portable, self-contained unit used to demonstrate the capabilities of the ACS Spreader-Plow Control System.

Enclosure

The FT901 enclosure is a heavy-duty hinged case. The ACS Display attaches to the lid via an adjustable mount. The lid also contains a padded area to enclose the detached display during travel/shipping. The FT901 can be powered from 85-265VAC. The AC power entry module is located on the hinge side of the enclosure base and contains two 4 amp fuses.

Functions

Master on/off switch: Main power switch.

Joystick Control: Proportional inputs with button configured for deadman switch function.

Joystick X Meter: Visual indicator of left-right output.

Joystick Y Meter: Visual indicator of up-down output.

Feeder Bargraph: Visual indicator of output to feeder valve. Graph is linear and will display 10-100% output in 10% increments.

Spinner Bargraph: Visual indicator of output to spinner valve. Graph is linear and will display 10-100% output in 10% increments.

Liquid Bargraph: Visual indicator of output to anti-ice valve (default). Graph is linear and will display 10-100% output in 10% increments. Can also be user configured to display prewet. *Having prewet and anti-ice enabled at the same time will result in unpredictable behaviour due to double assigned outputs and is not recommended. Only configure one or the other, never both.*

Ground Speed Control: Variable speed sensor input. Fully counter-clockwise rotation will turn signal off. Rotation clockwise will increase frequency to a maximum of approximately 460 Hz.

Roadwatch Input: Mini DIN connection for Roadwatch sensor.

Feeder Load Control: Slows signal from (closed-loop) feeder sensor to simulate increased feeder load. Clockwise rotation will increase load (decrease signal frequency).

Feeder Sensor Disconnect switch: Simulates a feeder sensor error (open circuit).

Body Limit switch: Simulates body limit sensor input. Factory configured as hoist up (negative Y axis) limit.

Low Oil switch: Simulates low oil sensor input

Low Oil Override switch: Low oil override switch input. (Momentary)

Anti-Ice switches: Enables left, center, or right anti-ice outputs.

Aux 1 switch: Extra output module digital input. Not configured by default.

Aux 2 switch (momentary): Extra operator panel digital input. Not configured by default.

Anti-Ice output indicators: Bi-color LED indicators (SG07010348) attached to output module ports J17, 18, and 19. PWM output to pin 2 of a port will turn on a red indicator, PWM output to pin 4 will turn on a green indicator.

FT901 Internal Settings

PWM 1-Joystick +X Output
PWM 2-Joystick -X Output
PWM 3-Joystick +Y Output
PWM 4-Joystick -Y Output
PWM 5-Feeder Output
PWM 6-Spinner Output
PWM 7-Right lane AI output (J30 Red LED)
PWM 8-Unconfigured (J30 Green LED)
PWM 9-Liquid Output
PWM 10-N/C
PWM 11-Center Lane (J29 Red LED)
PWM 12-Unconfigured (J29 Green LED)
PWM 13-Left Lane (J28 Red LED)
PWM 14-Unconfigured (J28 Green LED)

FB2-Feeder Sensor Input

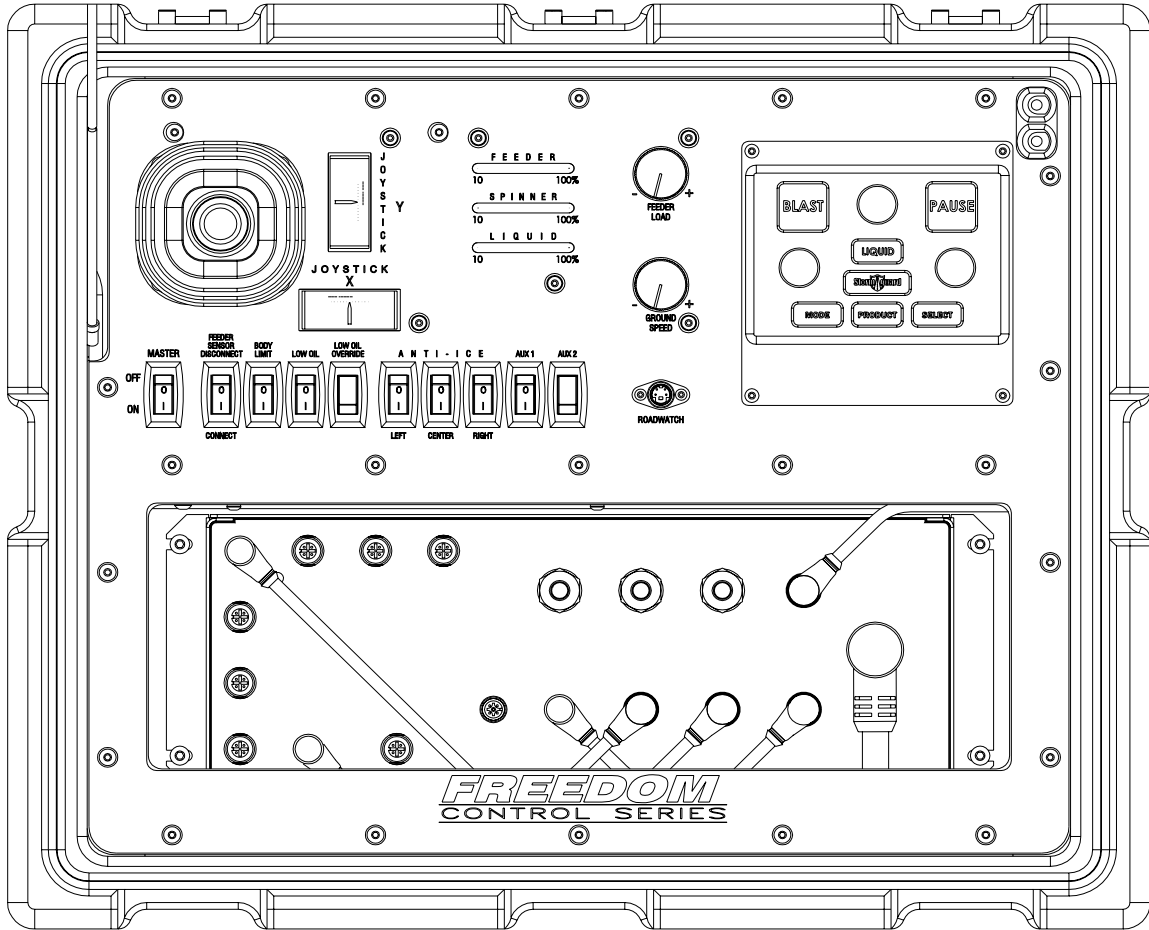
OUT 1-N/C
OUT 2-N/C
OUT 3-N/C
OUT 4-N/C
OUT 5-N/C
OUT 6-Low Oil Input

OUT 7-N/C
OUT 8-Aux1 Input
OUT 9-N/C
OUT 10-N/C
OUT 11-N/C
OUT 12-N/C
OUT 13-N/C
OUT 14-N/C
OUT 15-N/C
OUT 16-Body Limit Input

JOY 1-X, Y Axis Deadman Input

OP 1-Left Lane Switch Input
OP 2-Center Lane Switch Input
OP 3-Right Lane Switch Input
OP 4-Low Oil Override (momentary)
OP 5-Aux 2 (momentary) Input
OP 6-N/C
OP 7-N/C
OP 8-N/C

FT901 Front Panel Layout



FT901 Internal Wiring

