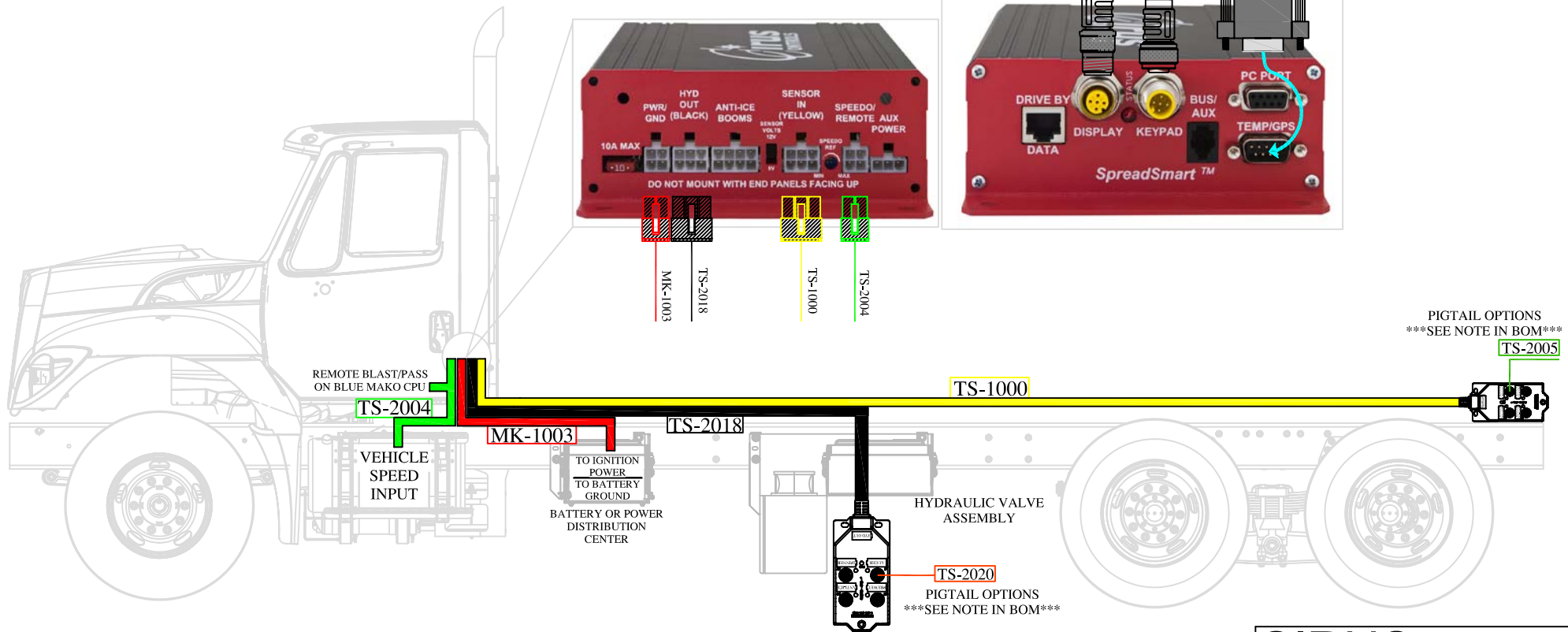


**CABLE SET:**

P/N	QTY	DESCRIPTION
TS-2018	1	Output cable from spreader to hydraulic valve
TS-2004	1	Ground speed input and remote blast/pass
MK-1003	1	Main Power and Ground
TS-2020	1 - 4	Hydraulic Pigtail from TS-2018 to hydraulic valve solenoid
***Options for the pigtails pending the termination on the hydraulic coil***		
TS-1000	1	Sensor main trunk - no bulkhead disconnect
	or	
TS-8000	1	Sensor main trunk - bulkhead mount (requires TS-8001)
and		
TS-8001	1	Sensor junction block bulkhead connector (connects to TS-8000)
TS-2005	1 - 4	Sensor Pigtail from TS-1000 to sensors on Auger/Spinner/Prewet/Anti-Ice
***Options for the pigtails pending the termination on the implement sensor***		



PIGTAIL OPTIONS  
\*\*\*SEE NOTE IN BOM\*\*\*

PIGTAIL OPTIONS  
\*\*\*SEE NOTE IN BOM\*\*\*

**CIRUS** Phone: (763) 493-9380  
**CONTROLS LLC** Fax: (763) 493-9340  
 7165 BOONE AVE. N. SUITE 190  
 BROOKLYN PARK, MN 55428

ENTIRE DOCUMENT IS FOR REFERENCE ONLY

THIS DRAWING IS THE PROPERTY OF CIRUS CONTROLS. THIS IS TO BE CONSIDERED CONFIDENTIAL AND PROPRIETARY NO REPRODUCTION IN WHOLE OR PART WITH OUT PERMISSION IS ALLOWED.

REV	DATE	DESCRIPTION					
A	-	-	INSTALLATION GUIDE				
B	-	-	SpreadSmart Rx				
C	-	-					
D	-	-					
E	-	-					
DESIGN:	—	DRAWN: KTM	AS BUILT: —	PROJECT NUMBER: —	SCALE: NONE	DATE: 8/27/10	REV: —
						SHT 1 OF 1	